

Tower/Arch Light

Finally, the Right Light for Arches & Towers

- *Thumbscrew makes for easy adjustment of light position.*
 - *360° All-Round Navigation Light in the up position for all nighttime boating or while at anchor.*
 - *A cockpit courtesy light in the down position while at the dock.*
 - *Forward and out of the way for daytime skiing or boarding.*
- *Easy to mount on towers, arches or windshields.*
- *"Reduced Glare" design, black plastic top with clear fluted lens, frosted globe globe and black plastic base, 3/4 inch anodized aluminum pole.*
- *Plastic adapters for flat, curved or "V" type mount, contains notch for through base wiring.*
- *Certified for use on power driven vessels under 20 meters (65.6 ft.) in length.*
- *Small, compact size (6-3/4" from center of mounting screw holes to the center of the filament when mounted per instructions).*
- *Vertical Mount.*

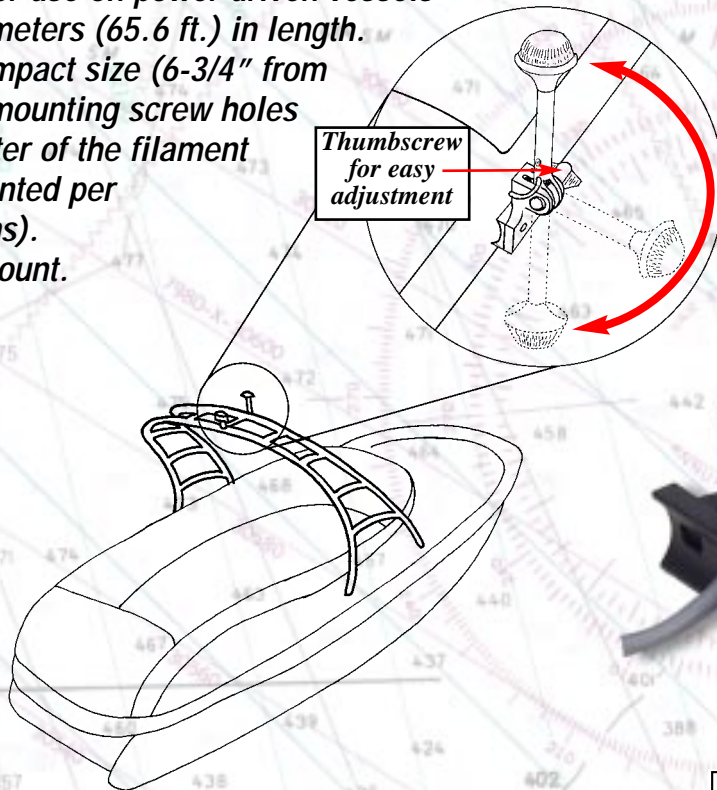
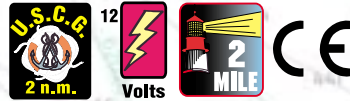


Fig. 1607

ORDERING INFORMATION

Dimensions	Dealer Pkg.	OEM Bulk Pkg.	Screw Size	Ship Wt. Carton Lbs.
Base Inches	5 Cards	50 Pcs.	8	DP/OEM Bulk
2 x 1-1/2	1 Pc. per Card	1607 000 CHR		3.7/29.2



New Product Bulletin